

## Product Features

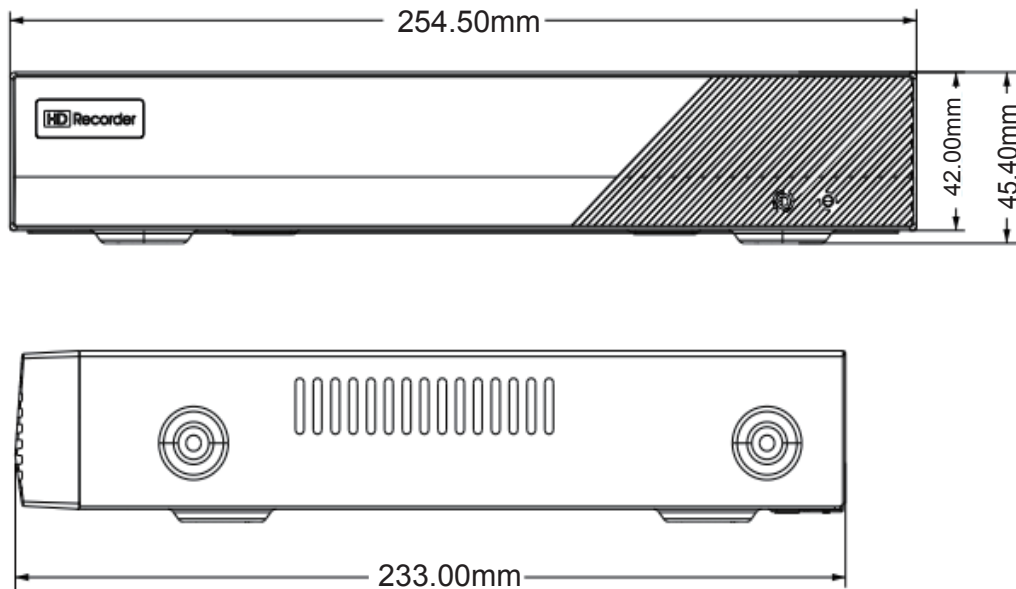
- ▲ Support 4 / 8 CH 6MP / 5MP / 4MP / 3MP / 1080P / 960P / 720P IP input
- ▲ Adopt standard H.265 and H.264 high profile compression format to get high-quality video at much lower bit rate
- ▲ Intuitive and user-friendly Graphic User Interface ( GUI ),Windows style operation by mouse
- ▲ Multi-mode recording: manual / timer / motion / sensor
- ▲ Playback : 4 / 8 CH simultaneous playback
- ▲ Search : time slice, time, event ( manual, sensor, motion ), tag search
- ▲ Express and flexible backup via USB, network and so on
- ▲ Pentaplex : preview, record, playback, backup and remote access
- ▲ DHCP, DDNS, PPPoE network protocol and CMS supported
- ▲ Remote control via IE or CMS : preview, playback,backup, PTZ and configuration
- ▲ Dual stream technology for local storage with high definition,remote network transmission and remote surveillance with mobile device
- ▲ Multi-user online simultaneously
- ▲ Authorization management, log view and device status view
- ▲ 1080P HD output, true high resolution display
- ▲ Support PTZ preset and auto cruise, up to 255 presets and 8 cruises
- ▲ Support NAT function and QRCode scanning by mobile phone and PAD
- ▲ Powerful smart phone & Pad surveillance with iOS and Andriod OS

## SPECIFICATION

MODEL		ANG1004N1S	ANG1008N1S
System	Compression	Standard H.265, H.264	
	os	Embedded Linux	
Video	Network Input	4 CH IPC input	8 CH IPC input
	IP Input Access / Transfer Bandwidth	32Mbps / 32Mbps	56Mbps / 56Mbps
	Network Access Format	6MP / 5MP/4MP/3MP/1080P/960P/720P@25 / 30fps	
	Output	HDMI × 1 : 1920×1080/1280×1024/1024×768 VGA × 1 : 1920×1080/1280×1024/1024×768	
Audio	Network Input	4 CH IPC audio input	8 CH IPC audio input
	2-way Audio	No	
	Local Output	No ( HDMI supports the audio output )	
Record	Record Stream	Dual stream recording	
	Resolution	6MP / 5MP / 4MP / 3MP / 1080P / 960P / 720P @25 / 30fps	
	Mode	Manual, timer, motion, sensor	
Playback	Simultaneous Playback	Max 4 CH	Max 8 CH
	Search	Time slice / time / event / tag search	
	Smart Search	Highlight colors to display the camera record in a certain period of time, different colors refer to different record events	
	Function	Play, pause, FF, FB, digital zoom, etc.	

Alarm	Mode	Manual, sensor, motion, exception
	Input	No
	Output	No
	Triggering	Record, snap, preset, e-mail, etc.
Network	Interface	RJ45 100 Mbps × 1
	Protocol	TCP / IP, PPPoE, DHCP, DNS, DDNS, UPnP, NTP, SMTP
Mobile Device	OS	iOS, Andriod
Storage	HDD	SATA × 1, up to 6TB per HDD
Backup	Local Backup	U disk, USB mobile HDD
	Network Backup	Yes
Port	USB	USB 2.0 × 2
	Remote Controller	Optional
Others	Power Supply	DC12V/1.5A
	Consumption	≤ 6W ( without HDD )
	Dimensions(mm)	255 × 233 × 42 ( W × D × H )
	Work Environment	-10 ~ 50 ℃ , 10% ~ 90% humidity

### Dimensions



### Rear Panels

