



QVP41DE

Product Features

- ▲ 4MP (2592 × 1520) H.265 full real time coding
- ▲ Max. resolution: 2592 × 1520
- ▲ ICR auto switch, true day / night
- ▲ 20 ~ 30m IR night view distance
- ▲ 3D DNR, true WDR, HLC, BLC, Defog, Smart IR and ROI coding
- ▲ Hardware reset
- ▲ Built-in micro SD card slot, up to 128GB
- ▲ 1CH audio input and 1CH built-in MIC
- ▲ DC12V/PoE power supply
- ▲ IP67&IK10 ingress protection
- ▲ Support three streams
- ▲ P2P function optional
- ▲ Support remote monitoring by smart phones & tablet PCs with iOS and Android OS
- ▲ Intelligent analytics: Object abandoned/missing detection, region entrance/exiting/intrusion detection(human/vehicle classification), line crossing detection(human/vehicle classification), video tampering detection, scene change detection, face detection, face capture, crowd density detection, heat map, human/vehicle counting, human tracking



H.265



WDR



Defog



HLC



BLC



PoE



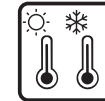
Motion Dection



IP67



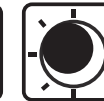
AWB



-30°~60°



VCA



Day&Night



IK10

SPECIFICATION

Camera	
Image Sensor	1 / 3 "CMOS
Image Size	2592 × 1520
Electronic Shutter	1 / 30 s ~ 1 / 100000 s
Iris Type	Fixed Iris
Min. Illumination	0.005 lux@F1.6,AGC ON; 0 lux with IR 0.0028 lux@F1.2,AGC ON; 0 lux with IR
Lens	2.8 mm @F1.6, horizontal field of view: 100.4° 3.6 mm @F1.6, horizontal field of view: 80.6°
Lens Amount	M12
Wide Dynamic Range	120dB
BLC	Yes
HLC	Yes
Defog	Yes
Digital NR	3D DNR
Angle Adjustment	Pan : 0°~355°, Tilt : 0°~67°, Rotation : 0°~355°

Image

Video Compression	Smart H.265 / H.265+ / H.265 / Smart H.264 / H.264+ / H.264 / MJPEG
H.264 Compression Standard	Baseline Profile/Main Profile/High Profile
Resolution	4MP (2592 × 1520), 2K (2560 × 1440), 3MP (2304 × 1296), 1080P (1920 × 1080), 720P (1280 × 720), D1, CIF, 480 × 240
Main Stream	4MP/2K/3MP/1080P / 720P(60Hz : 1 ~ 30fps; 50Hz: 1~25fps) HFR mode: 1080P / 720P(60Hz : 1 ~ 60fps; 50Hz: 1~50fps)
Sub Stream	720P/D1/CIF (60Hz : 1 ~ 30fps; 50Hz: 1~25fps)
Third Stream	D1/CIF/480x240 (60Hz : 1 ~ 30fps; 50Hz: 1~25fps)
Bit Rate	64 Kbps ~ 8 Mbps
Bit Rate Type	VBR / CBR
Image Settings	ROI, Saturation, Brightness, Chroma, Contrast, Wide Dynamic, Sharpen, NR, etc. adjustable through client software or web browser
ROI	Each ROI to be configured separately
Audio Compression	G711A / U

Interfaces

Network	RJ45
Audio	1CH audio input; Built-in MIC × 1
Storage	Built-in micro SD card slot; up to 128GB
Hardware Reset	Yes
Video Output	No

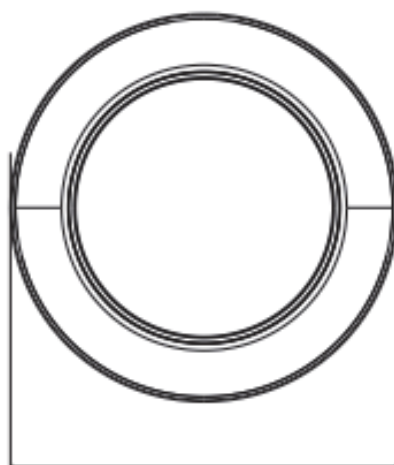
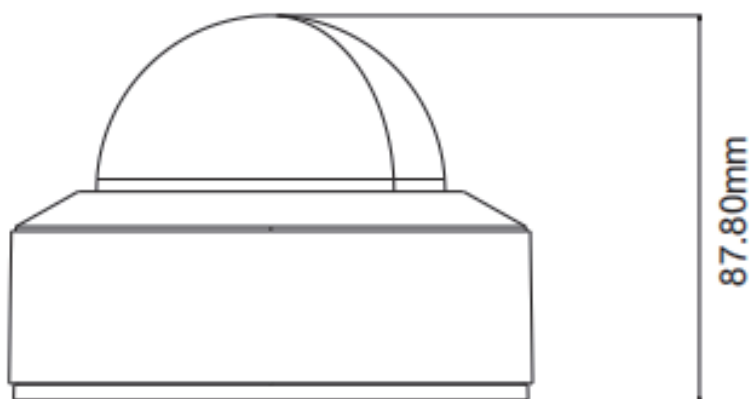
Functions

Remote Monitoring	Web browsing, CMS remote control
Interface Protocol	ONVIF
Storage	Network remote storage; micro SD card storage
PoE	Yes , IEEE802.3af
Online Connection	Support simultaneous monitoring for up to 10 users; Support multi-stream real time transmission
Network Protocol	UDP, IPv4, IPv6, DHCP, NTP, RTSP, PPPoE, DDNS, SMTP, FTP, 802.1x, UPnP, HTTP, HTTPS, QoS
Smart Alarm	Motion detection, SD card error, SD card full
General function	Watermark, IP address filtering, video mask, heartbeat, password protection, non-photosensitive switch, image distortion correction
IR Distance	20 ~ 30 m
Ingress Protection	IP 67 & IK10
Intelligent Analytics	Object abandoned/missing detection, region entrance/exiting/intrusion detection(human/vehicle classification), line crossing detection(human/vehicle classification), video tampering detection, scene change detection, face detection, face capture, crowd density detection, heat map, human/vehicle counting, human tracking

Others

Power Supply	DC12V / PoE
Power Consumption	< 7W
Dimensions (mm)	Φ 119 × 87.8
Operating Environment	-30 °C ~ 60°C(-22°F~140°F) Humidity: less than 95 %(non-condensing)
Weight (net)	Approx. 0.65KG
Installation	Ceiling mounting; Wall mounting

Dimensions



119.00mm